

GLSP Lid Stay (With Lock)

Top opening · Upward opening · Swing door opening

Opening Direction	Description	Non-handed	Qty	Compression Load
	Locks When Fully Opened	Yes	1 Units Per Door	294 N/pc (30 kgf/pc)



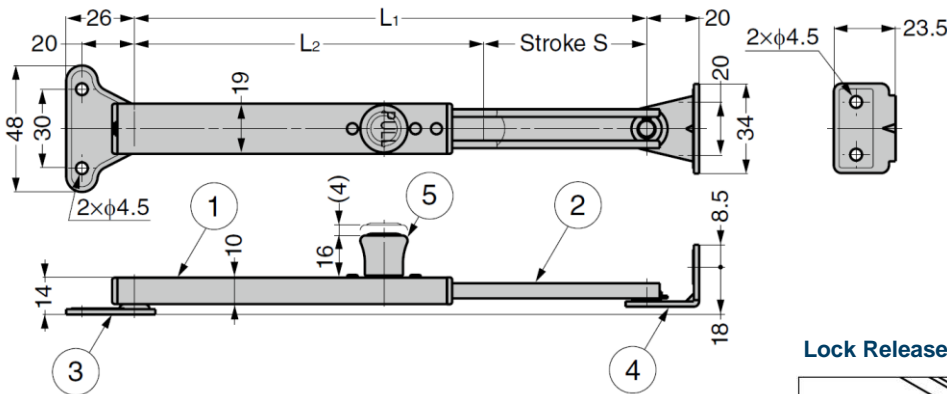
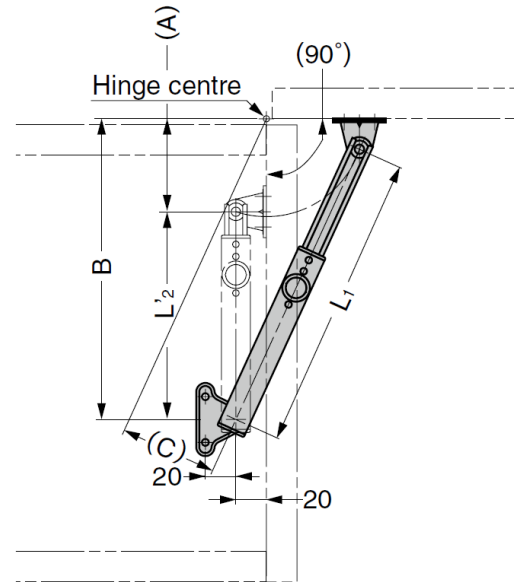
Features

- Can be locked automatically at the door position fully opened. Pull the locking knob to release the lock
- Plastic parts and metal parts can be separated
- Components to install to aluminium frame also available, contact Gripwell for assistance

Notes

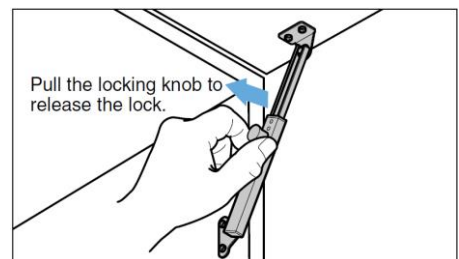
- Do not use this product as a stopper other than for a door
- Allow room for stroke depending on installation location and purpose
- Use 1 pc for 1 door
- Appropriate bracket position can be determined depending on door height and opening angle. In this case, ensure that L_2 of the installation example is larger than L_1 . (Otherwise the hinge and stay may be damaged.)
- Release the lock while supporting the door

Installation (right side board)



No.	Part Name	Material	Finish/Colour
①	Body	Stainless Steel (SUS304)	Satin
②	Arm		
③	Case Bracket		
④	Arm Bracket		
⑤	Locking Knob	POM	Dark Grey

Lock Release



Part No.	L ₁	L ₂	S	A	B	C	Compression Load	
GLSP-195B	195	133	62	61	197	63.8	294 N	30 kg
GLSP-270B	270	170	100	92	265	91.9		